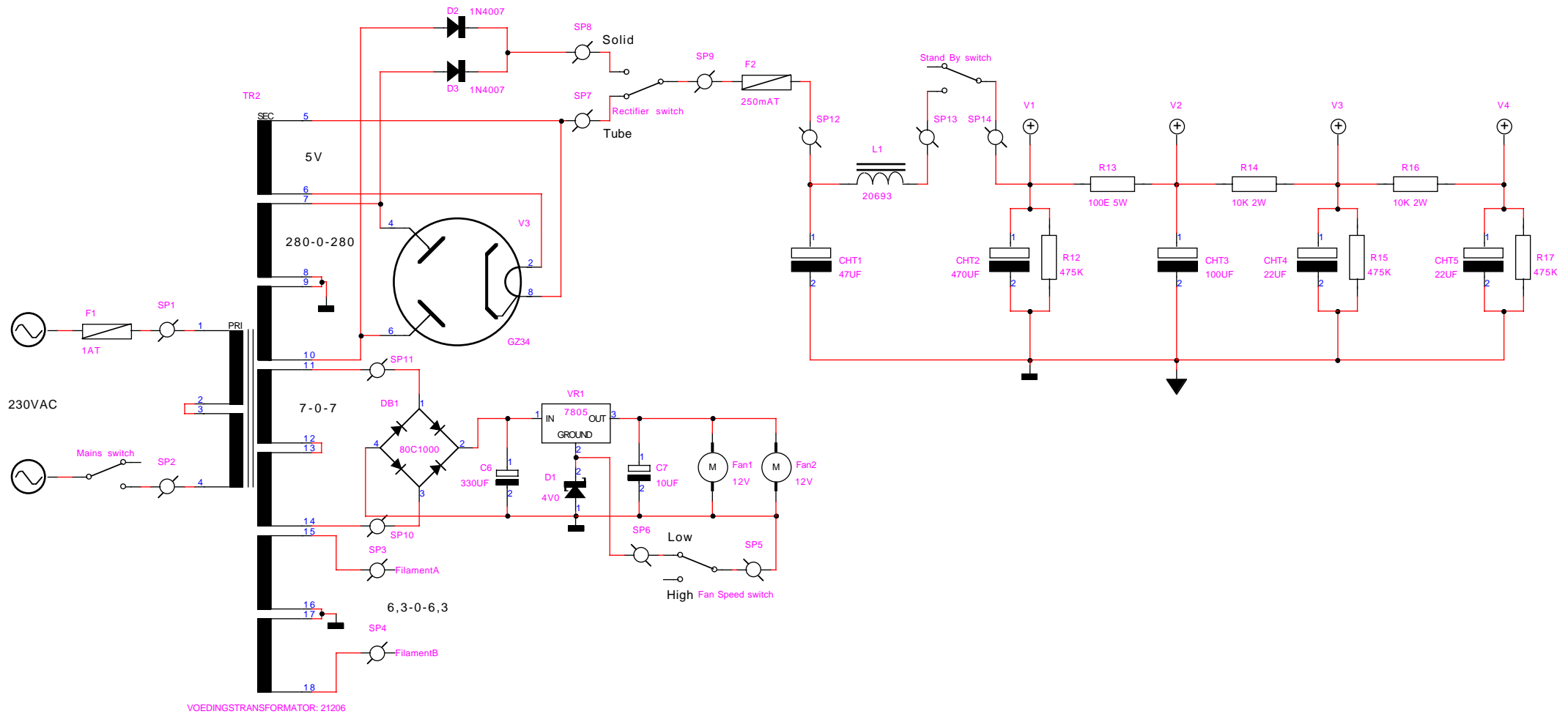



Revision	none	Rev Date	none	Action	none
Drawn	Ernst	Date	10-11-2001	Pagetitle	Tube design
Sheet	1	of	2	Print	4

  
 Guitar Amps & Customizing

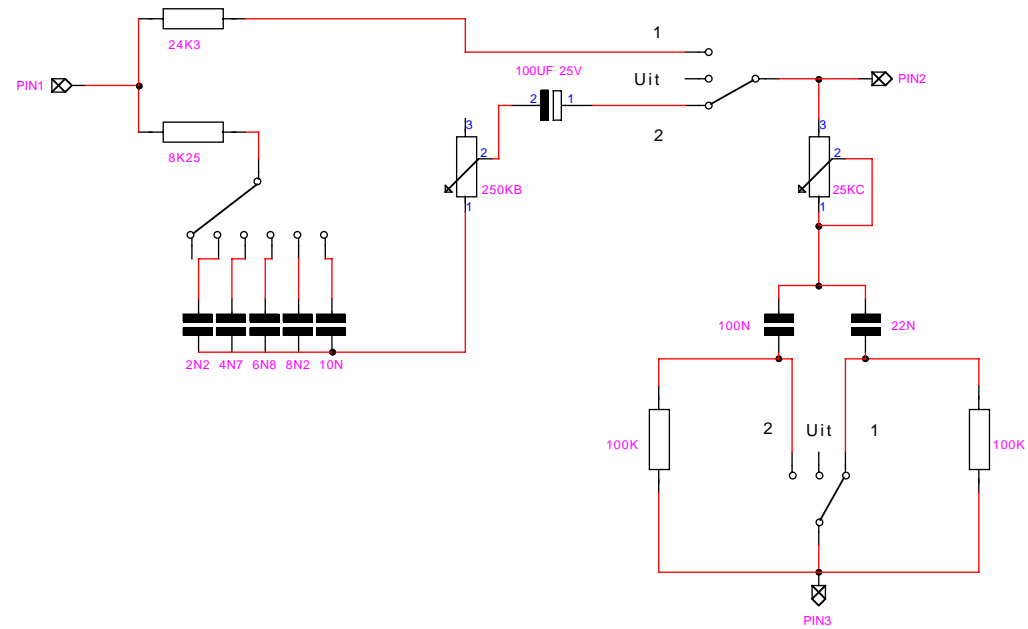
Title  
**Rebel II**  
 Drw. nr.  
**950306**




Revision	none	Rev Date	none	Action	none
Drawn	Ernst	Date	10-11-2001	Pagetitle	Power-supply
Sheet			2	of	2
Print			4		

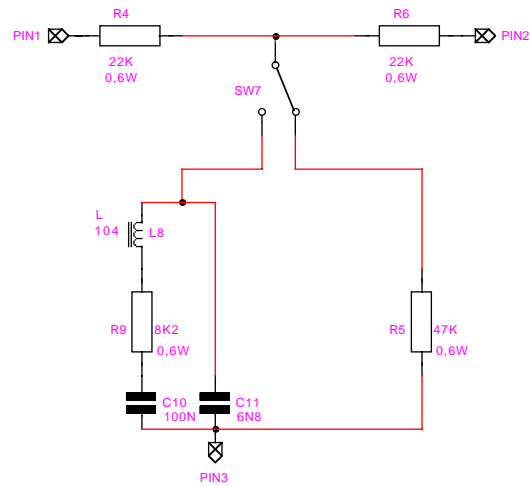



<b>Ernst</b> Guitar Amps & Customizing	Title <b>Rebel II</b>
	Drw. nr. <b>950306</b>



Revision	none	Rev Date	none	Action	none
Drawn	Ernst	Date	21-10-2002	Pagetitle	Feedback en presence regeling
Sheet			1	of	1
Print			4		

 <b>Ernst</b> Guitar Amps & Customizing	Title	Rebel II
	Drw. nr.	950306



 <b>Ernst</b> Guitar Amps & Customizing	Title <b>Rebel II</b>
	Drw. nr. <b>950306</b>

Revision <b>none</b>	Rev Date <b>none</b>	Action <b>none</b>
Drawn <b>Ernst</b>	Date <b>21-10-2002</b>	Sheet <b>1</b> of <b>1</b> Print <b>4</b>
Pagetitle <b>Line out en filter</b>		